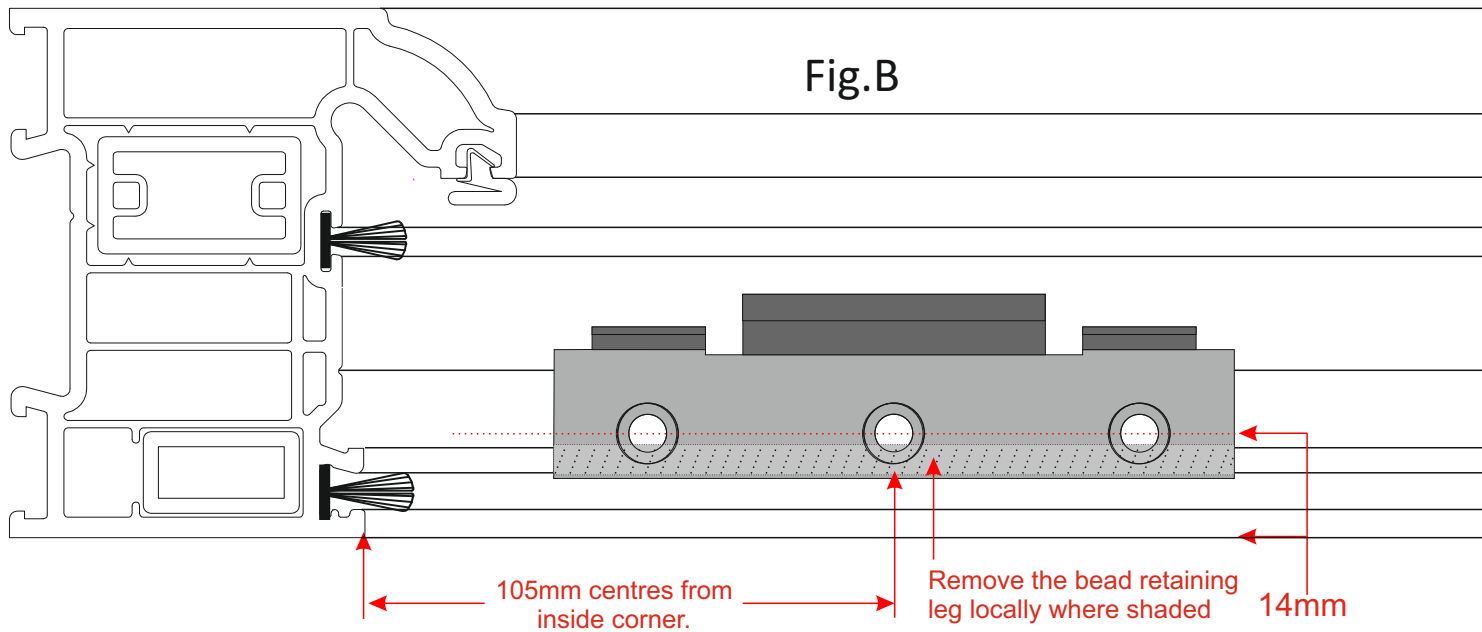
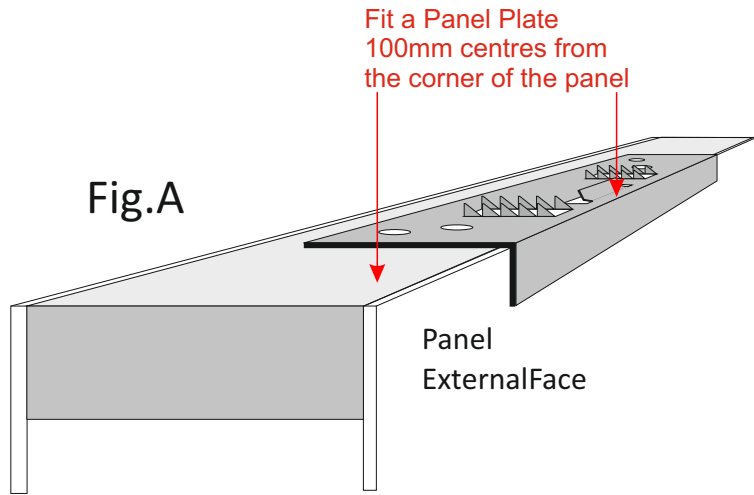


Whiteline use the GT Panel Lok which has been designed to assist the easy fit of Composite Panels into a sidelight situation. We supply the sidelight from the factory with the panel located in reverse, to fit - remove the panel, fit the frame and then push fit the panel the correct way around.

A set comprises of two metal parts, a panel plate and a frame plate, along with an acetal cover for the frame plate.

Fitted correctly, as show in the diagrams, GT Panel Lok will allow a push and lock fit with the advantage of easy release for removing the panel.

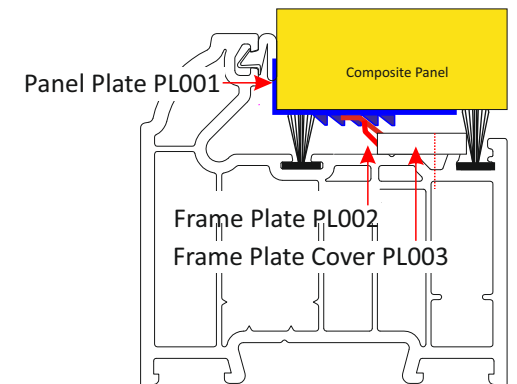
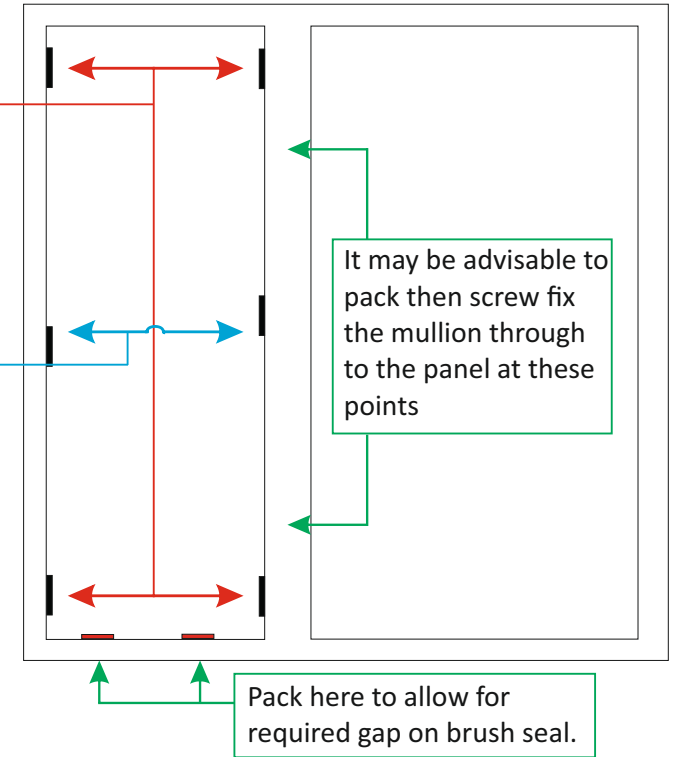


## FITTING

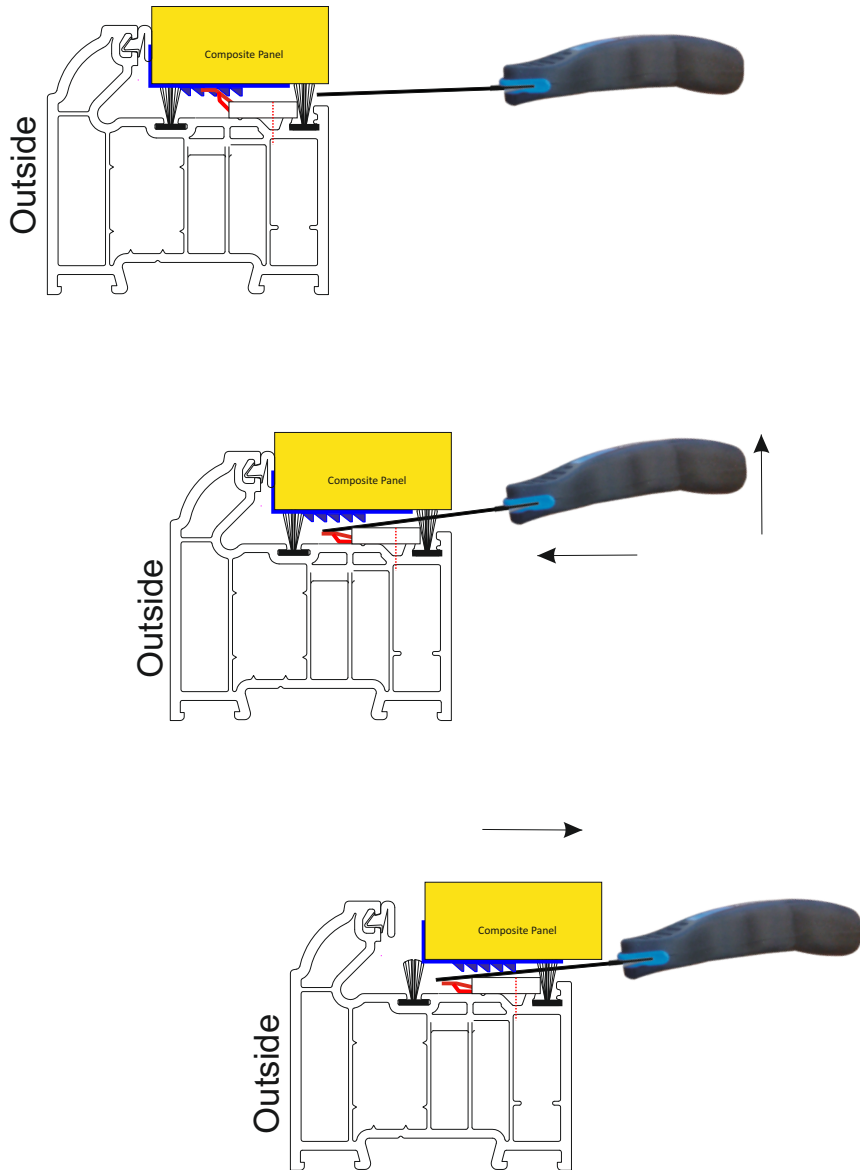
Fit Panel Lok on the vertical bars at the centre shown in Fig A and Fig B

Fit additional sets central at these points

All drawings are not to scale  
Reinforcement and fixings  
have been omitted for clarity  
Patent No. GB2445676B



# RELEASING



whiteline

Composite Door Panel  
Fitting & Removal Instructions

