

Geo=Fast

For more information please visit
www.geofast.co.uk

For Bars used by Whiteline refer to The Range Page

The Georgian Bar Company Limited

Unit 1, Clifton Business Park,
Preston New Road, West Preston. PR4 0XQ

Tel: 01772 631441 | Fax: 01772 679886

Email: sales@geofast.co.uk | www.geofast.co.uk



The Georgian Bar Company Ltd



Geo=Fast



Welcome

to the

ONLY Snap-On

Georgian Bar System

Geo=Fast

The Geofast System

Double-glazed windows can be given a traditional Georgian appearance with our snap-on astragal-style bar system that is easy to install, does not rely on double-sided tape or hot-melt adhesive and gives a more authentic effect than aluminium bars within the sealed unit.

The GeoFast system from the Georgian Bar Company is fitted internally, externally or both, and can be installed on site. U-shaped clips are positioned around the glass unit before glazing, then cruciform clips are fitted to the glass panes at crossover points of the duplex spacer bar. The Geofast bars are then cut and milled to fit the shorter span then simply snapped into position. Short sections of bar are then cut, mitred and clipped into position between the continuous bars to provide the individual small pane effect.

This method of installation enables the GeoFast system to be fitted retrospectively to existing windows and allows it to be re-used in the event of breakage or failure of a sealed unit. All bars are held firmly in position by the clips and cannot fall off. The GeoFast system provides the stylish, effective and trouble free answer to anyone wishing to achieve an authentic looking Georgian style double glazed window. The patented Geofast system is quick and easy to apply and is designed to cope with the rigours of site installation

where necessary, and provides the smartest most authentic Georgian style double glazed window you will ever see.

GeoFast Georgian bar is available in three ranges **Traditional** (25mm x 16mm), **Versatility** (21mm x 11mm) and **Simplicity** (21mm x 7mm). Bars are available with chamfered or decorative designs in two shades of white and a wide selection of popular foiled grain effects from stock.

Bars are made from window grade PVCu and are supplied in 3m lengths. U-clips are available in 24mm & 28mm glass thickness and are colour coded to match the relevant bar.

Our range of Georgian Bars, clips and end-caps are approved and used by Rehau, Duraflex, Eurocell, Veka, Spectus, Kommerling, Synseal, Liniar and many others.

With standard stick-on Georgian Bar, extreme temperatures and varying expansion rates would make the bars pop off, ham fisted window cleaners would dislodge them, toe and heeling would often remove them even before installation. No wonder they never enjoyed the same popularity within the industry as they did among planners and the public! With our GeoFast system these problems simply disappear.

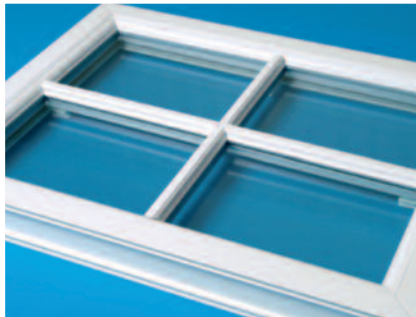
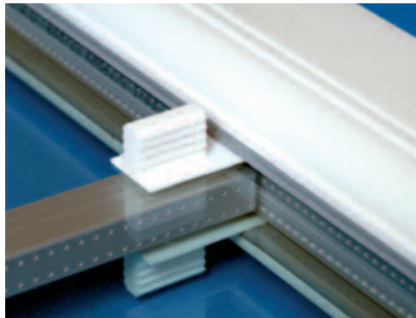
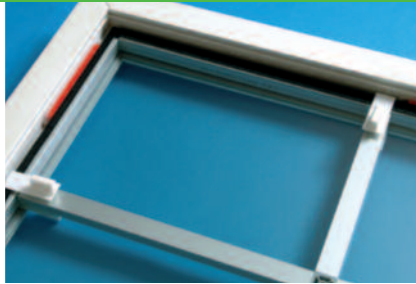
“The genius of the GeoFast system lies in its simplicity. Fit the bar clip to each side of the sealed unit, install the unit in the frame in the usual way, align the centre clip to the edge clips, position the centre clip using a small piece of double sided tape, cut and mitre the Georgian bars and clip into place. It really is as simple as that.”



The Geofast Method

Units can have bars applied to either one or both sides of the window as required and the bars will flex with the unit – so that if “toe and heeling” is required this will not impact on the effectiveness of the bars. If, however, reglazing is required, then the bars can be easily removed and reapplied on site.

- The components comprise edge clips, centre clips and the Georgian Bars. (Optional end caps and cruciform cover)
- Place the edge clips in the required positions around the sealed glazing units.
- Glaze window as per manufacturing any glazing instructions. Ensure that clips have retained their position prior to final beading.
- Using an alcohol wipe ensure that all surfaces are clean, dry and free of grease.
- Accurately align the centre clip to the edge clips, place a 40mm length of double sided tape to the underside of the centre clip and fix in place.
- For spans over 300mm between clips an intermediate bridging piece should be used to increase rigidity.
- Precisely cut and mill/mitre the full length bar. This should always be the shortest span for maximum rigidity. (Optional end cap installation)
- Cut and mill/mitre the remaining bars and complete installation. (Optional cruciform cover before snapping into place)



Why use Geofast?

- Stylish, effective and authentic looking Georgian style double glazed windows
- Quick and easy to fit into a double glazed unit
- Can be installed retrospectively
- Designed to cope with the rigours of onsite installation
- Reusable in the event of breakage of glazed units
- Removes the need for remedial work
- Fits casement and VS systems
- Available in over 40 foiled colours
- Easier to apply than adhesive alternatives
- Fabricator friendly
- Durable



The Geofast Range

Traditional

GB1 CHAMFERED & GB2 FEATURED BAR

This range of bars offers the most authentic look to a UPVC Window. Using end milling, the bars fit seamlessly to both the frame and to each other. This range offers a robust and ample look to the window. (Bar size 25mm x 16mm)



Versatility All Standard Products

GB1VS CHAMFERED & GB2VS FEATURED BAR

This range of bars offers the best of both worlds as it will fit casement and vertical sliders alike. With our GB2VS Featured Bar we also have a large range of end caps and cruciforms to ensure if you don't have a milling machine then our bar can still be installed using a simple and very effective system. (Bar size 21mm x 11mm)



Simplicity FlushSASH Window Only

ULTRA LOW LEVEL CHAMFERED BAR

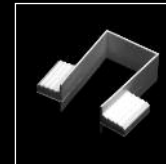
This range is the quickest and simplest of our systems. It offers an ultra low level bar that will sit within the frame rebate with a 45 degree mitre cut bar to bar or the use of our cruciform key. (Bar size 21mm x 7mm)



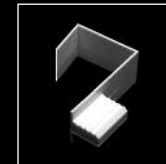
Now available in over 40 colours.



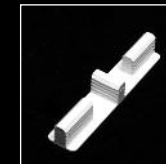
Traditional Range



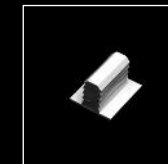
GC 24/28 BAR CLIP



SINGLE SIDED U CLIP



GCC CRUCIFORM CLIP



INTERMEDIATE BRIDGING PIECE



CUTTING SNIPS (FOR TRADITIONAL & VERSATILITY RANGE)

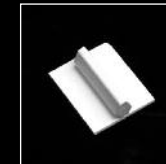
Versatility Range



GC24/28VS BAR CLIP



GCCVS CRUCIFORM CLIP



LL INTERMEDIATE BRIDGING PIECE

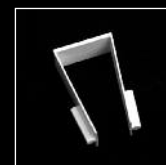


CJC2VS CRUCIFORM COVER



FEATURED BAR END CAP (PROFILE RELATED)

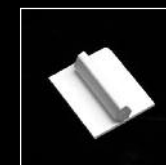
Simplicity Range



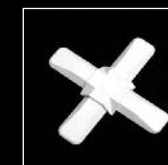
UL 24/28 BAR CLIP



ULCC CRUCIFORM CLIP



UL INTERMEDIATE BRIDGING PIECE



UL CRUCIFORM KEY

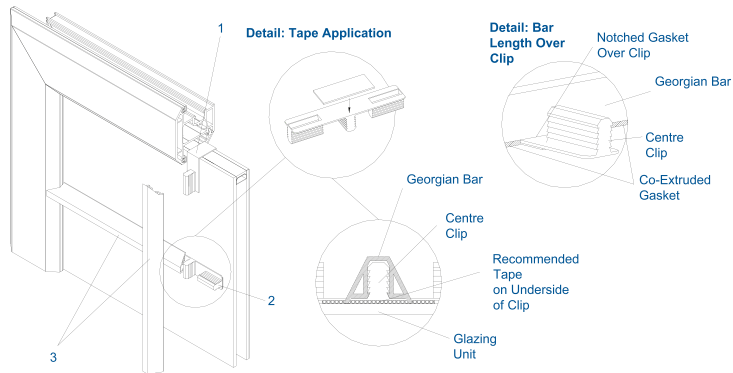


ULEC REBATE END CAP

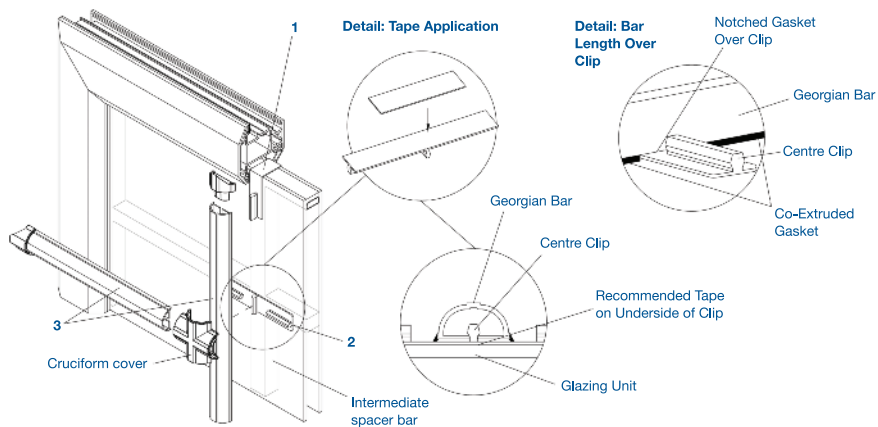
Geofast - How it works

Geofast using a milling machine

1. Edge Clip
2. Centre Clip
3. Georgian Bar



Geofast using end caps



The Geofast system is available directly from The Georgian Bar Company or from:

