



# Whiteline exclusive

range of energy efficient windows

Platinum  
NRG

REVIVAL  
system





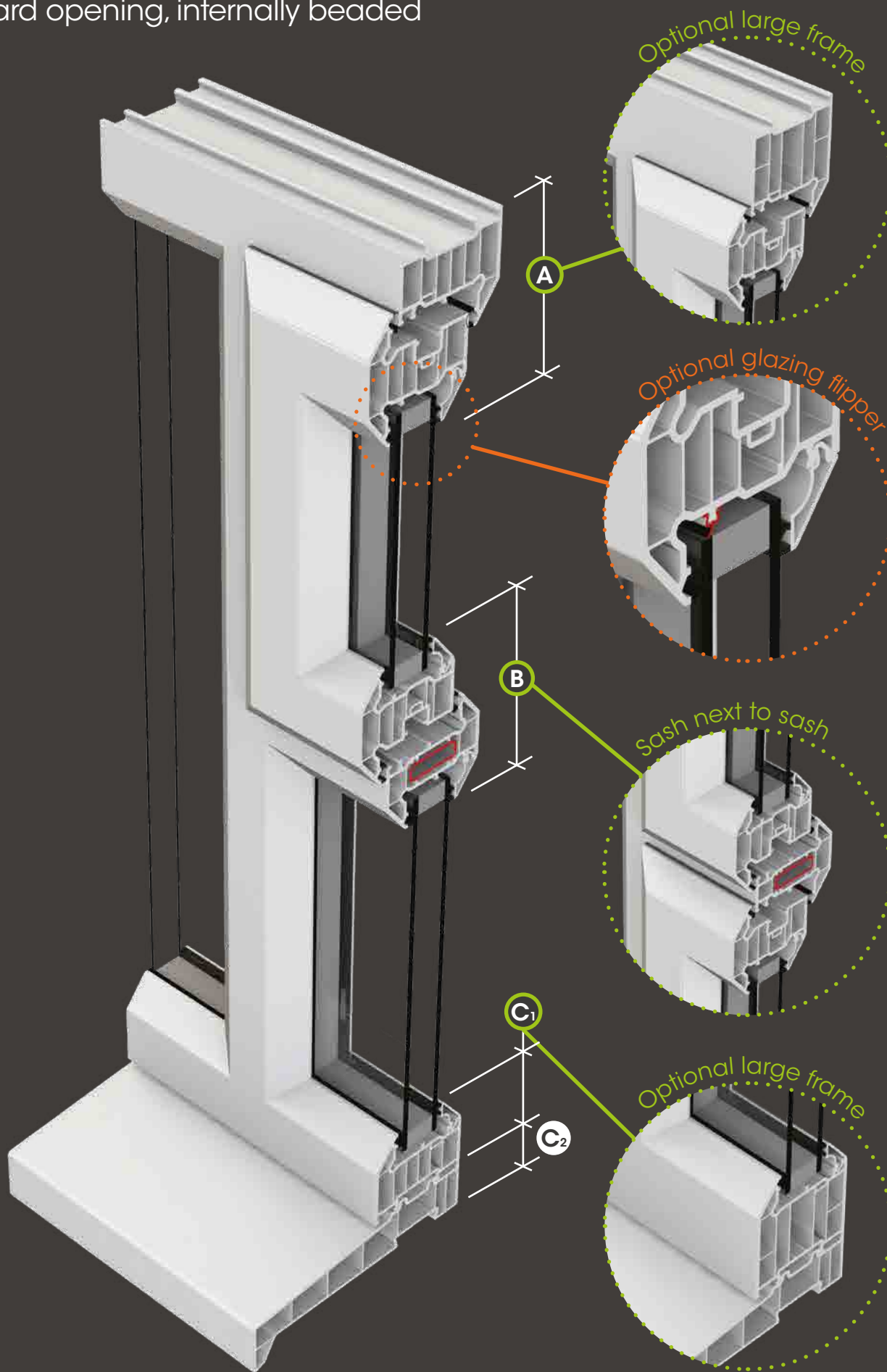
## Contents

Platinum NRG Casement Window	4
FlushSASH Window	6
Revival Casement Window	8
Revival FlushSASH	10

# PlatinumNRG Casement Window

Outward opening, internally beaded

Vertical Cross Section



# Technical information


**PlatinumNRG Sculptured Window**

- Exclusive PlatinumNRG SlimSASH
- 28mm double and 36mm triple glazing options
- 6 chambered multi wall profiles
- U-values from 1.1 (DGU) and 0.8 (TGU)
- Patented co-extruded gasket

**Accreditations**



**Colour Options**



Additional colours are available to order as specials. The colours shown in this brochure give an indication only.



Product	Dim. A
Small frame & slim sash LCW012 & LCW034	100mm
Large frame & slim sash LCW017 & LCW034	120mm

Product	Dim. B
Transom & slim sash LCW022 & LCW031	110mm
Int. Transom & slim sash LCW027 & LCW034	130mm
Transom & 2 x slim sash LCW021 & 2 x LCW034	153mm
Int. Transom & 2 x slim sash LCW026 & LCW034	173mm

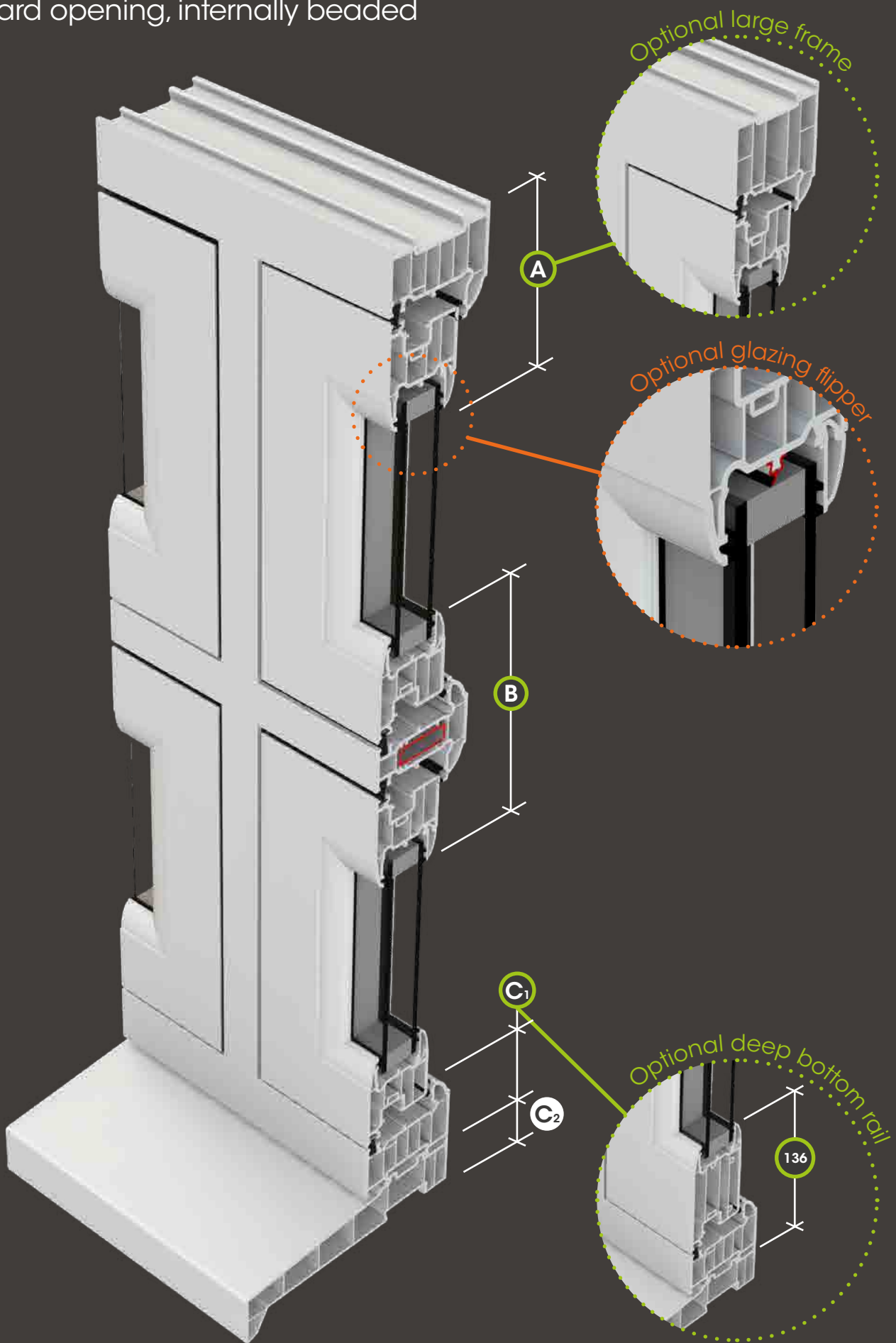
Product	Dim. C1
Small frame LCW012	57mm
Large frame LCW017	77mm

Product	Dim. C2
85, 150, 165, 180 cills LSL085, LSL150, LCL165, LSL180	30mm

# FlushSASH Window

Outward opening, internally beaded

Vertical Cross Section



Dimensions shown in mm

# Technical information

## FlushSASH Window

- Exclusive optional deep bottom rail (DBR)
- 28mm double glazing
- 6 chamber multi wall profiles
- Optional mechanical jointed outer frame
- U-values from 1.3 (DGU)

## Accreditations



## Colour Options



Additional colours are available to order as specials.  
The colours shown in this brochure give an indication only.



Product	Dim. A
Small frame & sash LSW012 & LSW030	103mm
Large frame & sash LSW017 & LSW030	123mm

Product	Dim. B
Transom & 2 x sash LSW021 & 2 x LSW030	159mm
Int. Transom & 2 x sash LSW026 & LSW030	179mm

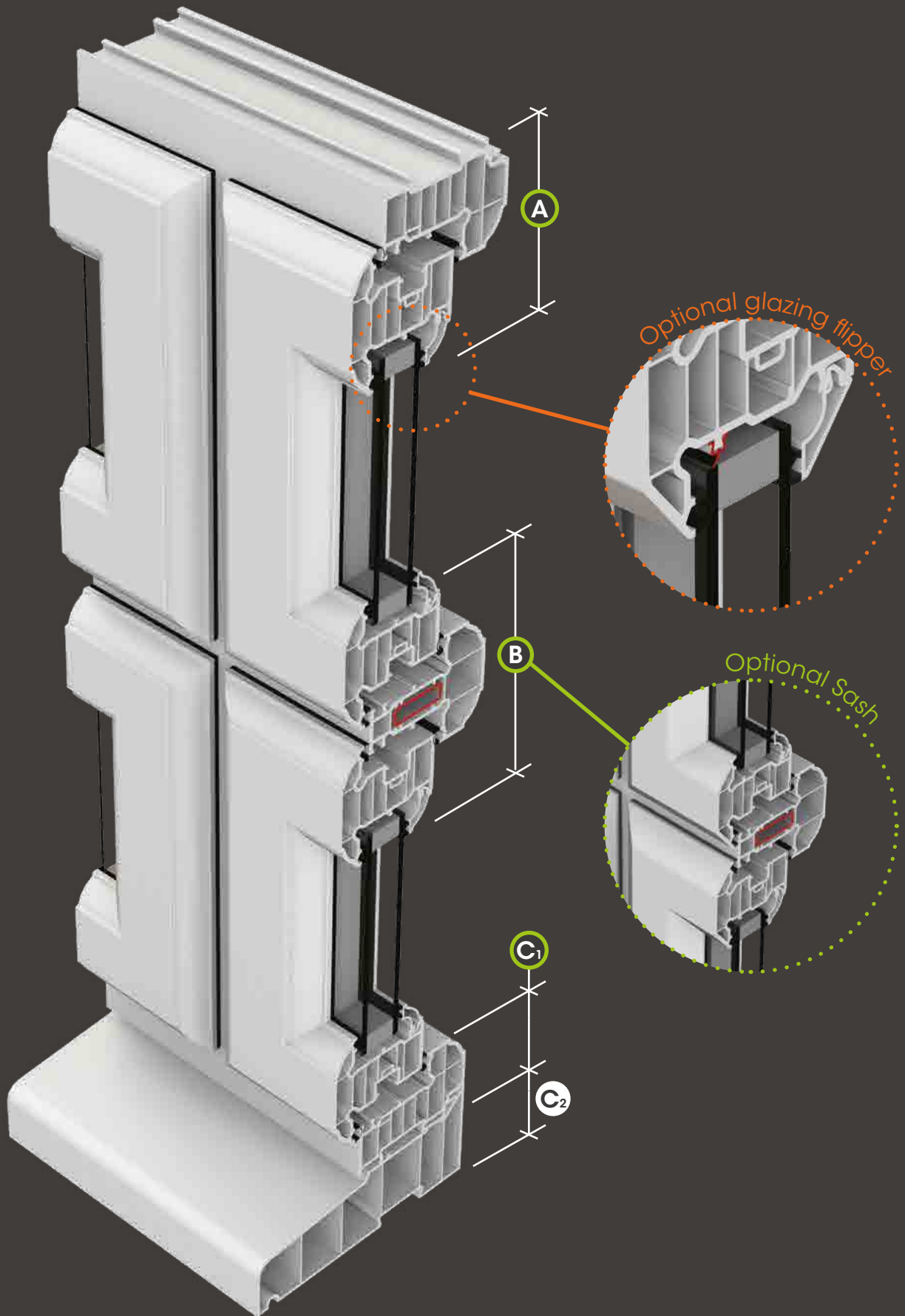
Product	Dim. C <sub>1</sub>
Small frame LSW012	57mm
Large frame LSW017	77mm

Product	Dim. C <sub>2</sub>
85, 150, 165, 180 cills LSL085, LSL150, LCL165, LSL180	30mm

# Revival Casement Window

Outward opening, internally beaded

Vertical Cross Section





# Technical information

## Revival Casement Window

- 7 chamber multi wall profiles
- Accommodates all versions of rebated sashes
- Full balanced sightlines
- Authentic deep 163mm cill section
- Mechanically jointed transoms and mullions

## Accreditations



## Colour Options



Additional colours are available to order as specials.  
The colours shown in this brochure give an indication only.



Product	Dim. A
Revival frame & slim sash WLW012 & LCW034	100mm
Revival frame & sash WLW012 & LSW033	104mm

Product	Dim. B
Revival transom & 2 x slim sash WLW021 & 2 x LCW034	153mm
Revival transom & 2 x sash WLW021 & 2 x LCW033	161mm

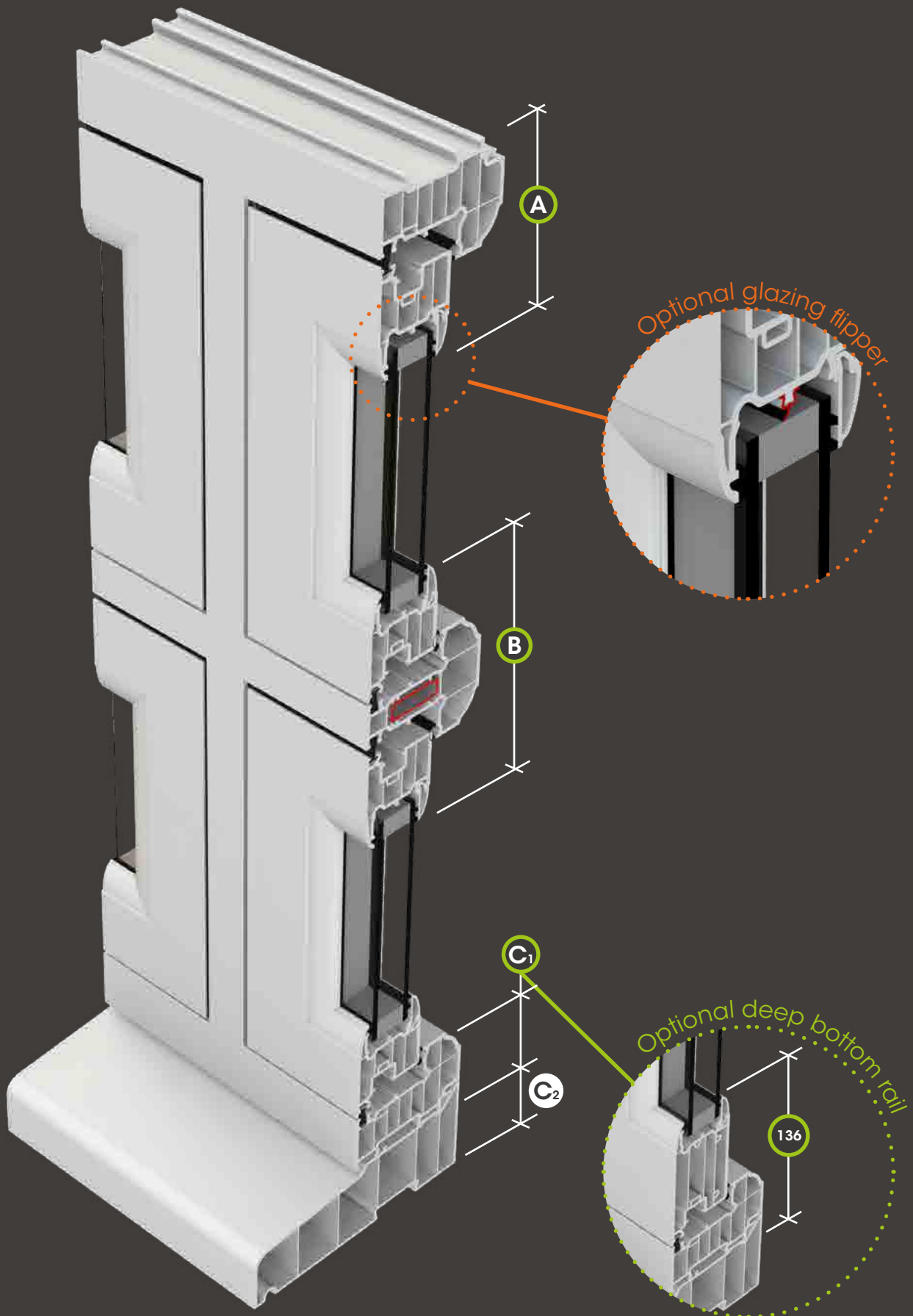
Product	Dim. C <sub>1</sub>
Revival frame WLW012	57mm

Product	Dim. C <sub>2</sub>
Revival cill WLW163	50mm

# Revival FlushSASH Window

Outward opening, internally beaded

Vertical Cross Section



Dimensions shown in mm

# Technical information

## Revival FlushSASH Window

- 7 chamber multi wall profiles
- Exclusive optional deep bottom rail (DBR)
- Fully balanced sightlines
- Authentic deep 163mm cill section
- Mechanically jointed transoms and mullions

## Accreditations



## Colour Options



Additional colours are available to order as specials.  
The colours shown in this brochure give an indication only.



Product	Dim. A
Revival frame & sash WLW012 & LSW030	103mm

Product	Dim. B
Revival transom & 2 x sash WLW012 & LSW030	159mm

Product	Dim. C <sub>1</sub>
Revival frame WLW012	57mm

Product	Dim. C <sub>2</sub>
Revival cill WLW163	50mm

## 7 great reasons to choose Whiteline

**Innovative** – a culture of research and development means exciting new product launches and continuous improvements

**Energy efficient** – designed from scratch to achieve the pinnacle of thermal performance and retain more heat inside the property

**Safe and secure** – engineered with built-in security features and approved by independent testing facilities

**British made** – manufactured in a state-of-the-art factory in the heart of Derbyshire

**Lead free** – all Liniar profiles are extruded using materials that are 100% lead free

**Quality assured** – backed with ISO 9001 accreditation for peace of mind

**Guaranteed** – all Liniar PVCu profiles are guaranteed to not warp, split or discolour for a period of 10 years



26 - 36 Hawthorn Road,  
Eastbourne,  
East Sussex,  
BN23 6QA

Tel: 01323 723724  
Fax: 0845 2802815  
Email: [enquiries@whiteline.co.uk](mailto:enquiries@whiteline.co.uk)  
[www.whiteline.co.uk](http://www.whiteline.co.uk)

