

SECTION A4

INSTALLATION

A4 - 01

Fixing Recommendations

A4 - 02

Cill Installation

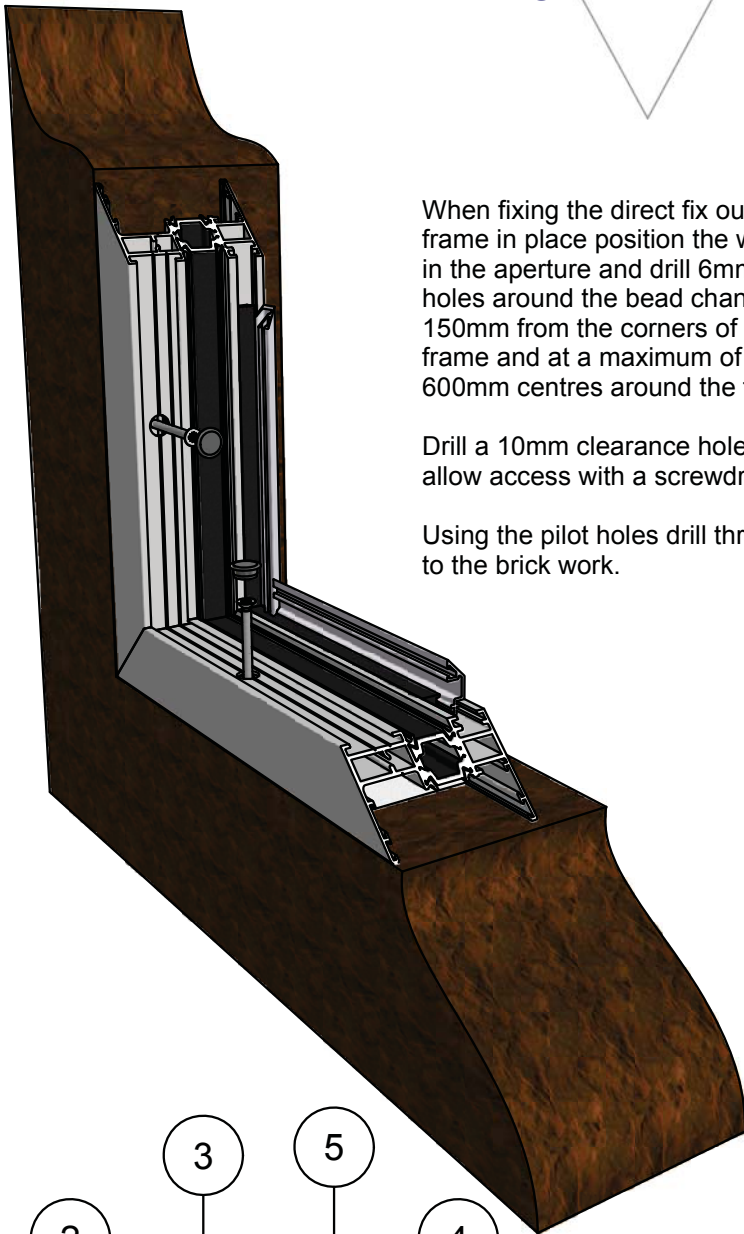
A4 - 03

Fixing Lug Application

A4 - 04

Hinge Claw

**FIXING
RECOMMENDATIONS**

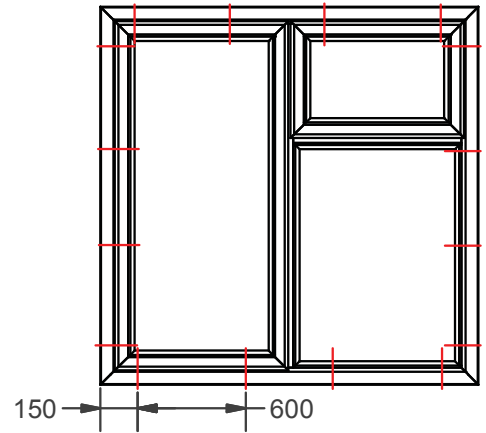


When fixing the direct fix outer frame in place position the window in the aperture and drill 6mm pilot holes around the bead channel 150mm from the corners of the frame and at a maximum of 600mm centres around the frame.

Drill a 10mm clearance hole to allow access with a screwdriver.

Using the pilot holes drill through to the brick work.

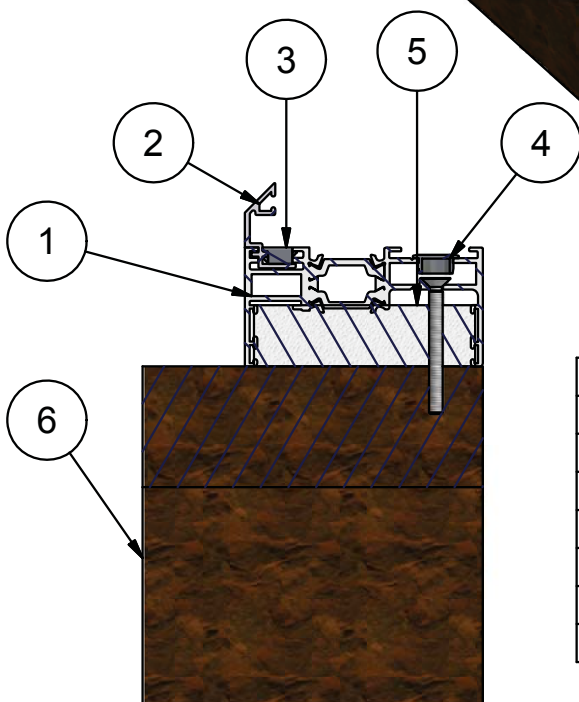
Recommended fixing points



Once this is complete, fix the frame into the aperture use packing shims where required to centralise the frame.

Finally tighten the fixing screws into position applying a silicone seal prior to fitting the fixing screw in the hole, taking care not to distort the frame.

Now the frame is secure, cap off each hole with PX231 as shown and clean down removing any swarf that may be present.



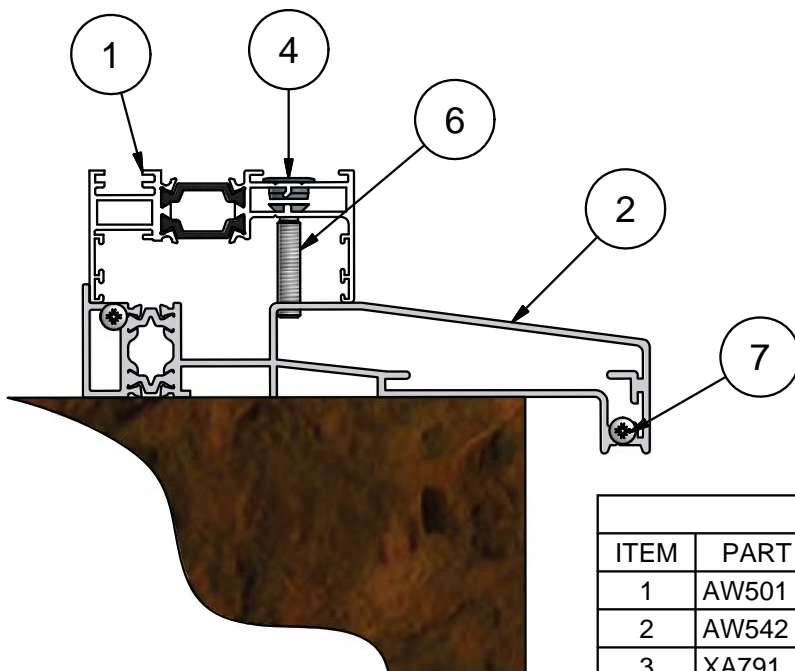
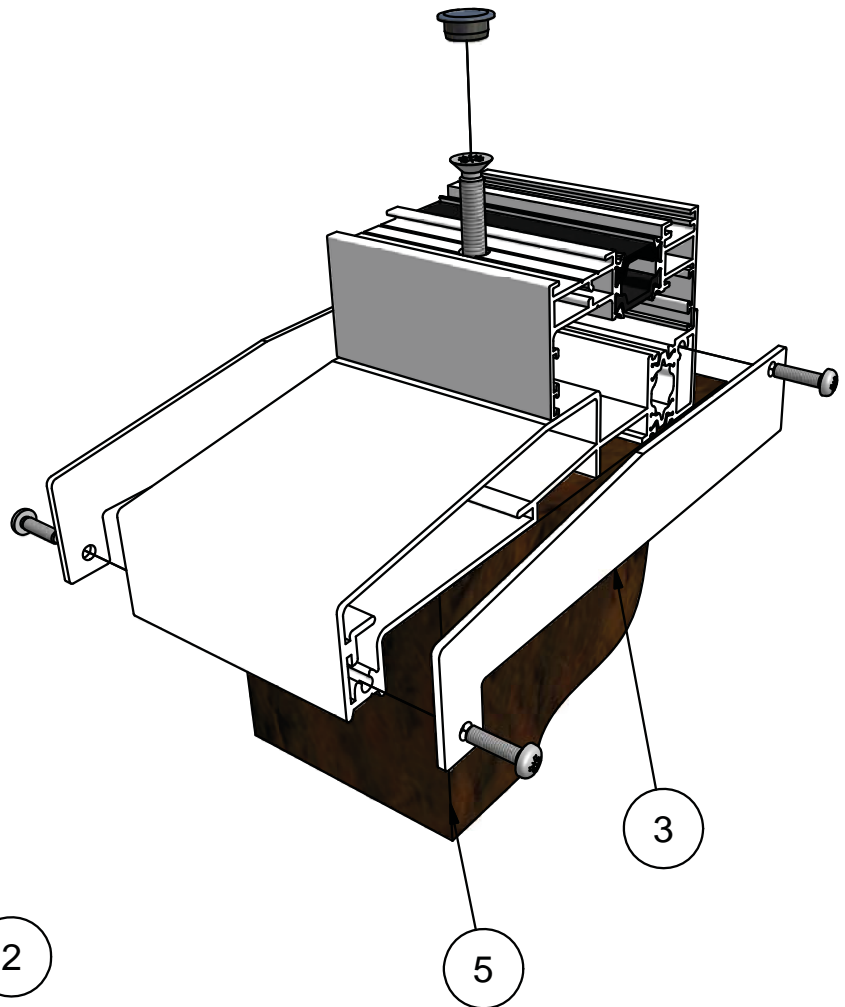
Parts List

ITEM	PART NUMBER	DESCRIPTION
1	AW501	Direct Fix Outer Frame
2	AW515	Rebate Bead
3	XA703	Rebated Bead Wedge
4	PX231	Hole Plug
5	XA953S	Slim Direct Fix Foam
6	Wall	Brick

CILL

When installing windows onto a cill the following steps should be taken:

1. Apply a silicone seal along the cut surface of the cill and fit the cill end caps.
2. Apply a silicone seal to the deep channel at each end of the cill ensuring a water tight seal.
3. If fixing the cill to the rebate, drill through the cill in the required position. Prior to fixing into place, apply a good silicone seal to the fixing hole before fitting the screw this will prevent water tracking through to the brickwork at a later stage.
4. Finally run a silicone seal along the rear upstand (rebate) of the cill and position the window in place on the cill.

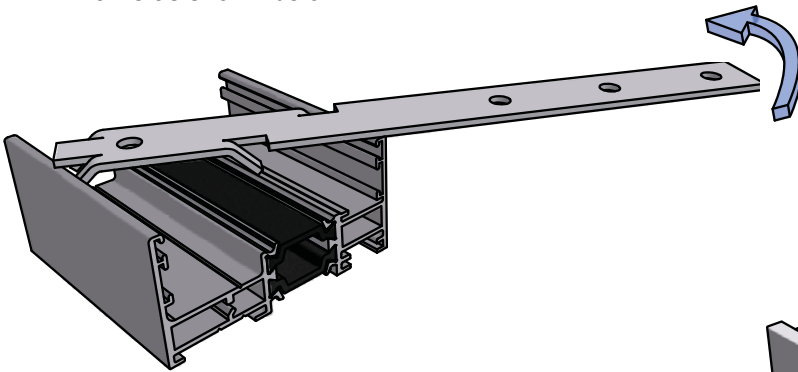


Parts List

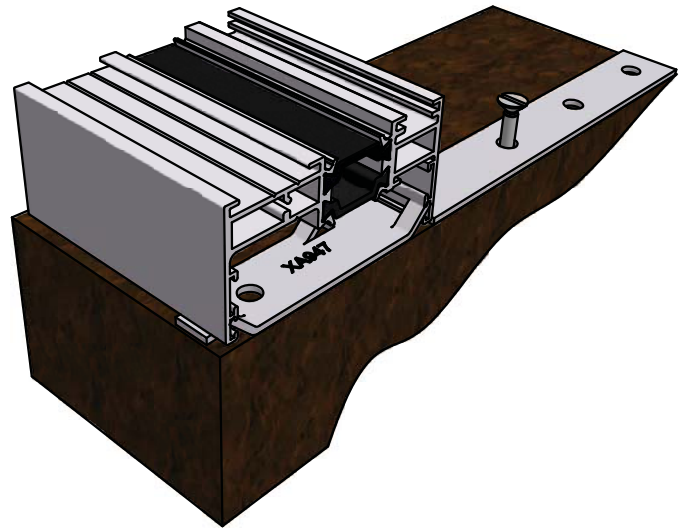
ITEM	PART NUMBER	DESCRIPTION
1	AW501	Direct Fix Outer Frame
2	AW542	150mm Drop Nose Cill
3	XA791	End Cap
4	PX231	Cover Cap
5	Brick	Standard Wall
6	Fixing Screw	No. 8 x 13mm Self-Tapping Fixing Screw
7	EC Screw	3.2 x 13mm Pan Head Tapping Screw

FIXING LUG

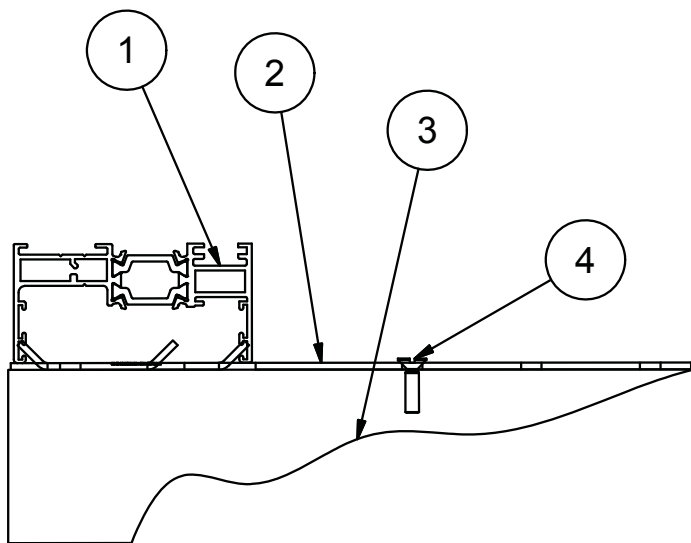
Twist the lug into position so that it sits 90° to the frame as shown below.



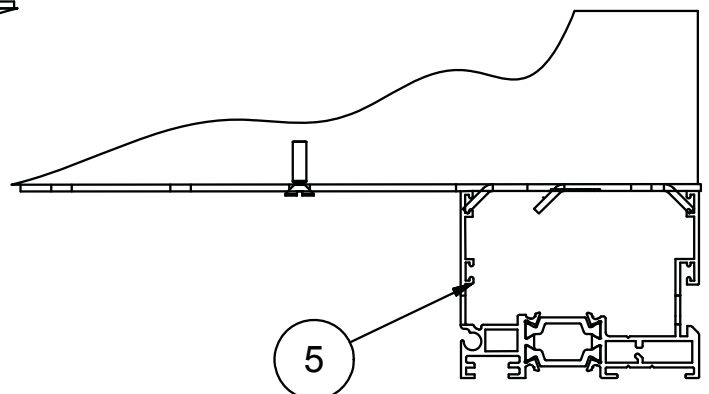
Take the fixing lug (XA947) and position against the outer edge of the frame to be fixed.



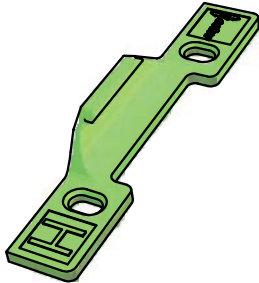
The fixing lugs should be positioned in the opening, fix with the appropriate fixing in holes provided and remove any of the lug that is surplus to requirements.



Parts List		
ITEM	PART NUMBER	DESCRIPTION
1	AW501	Outer Frame
2	XA947	Fixing Lug
3	Brick	Standard Wall
4	Fixing	Fischer Fix Screw
5	AW530	Night Vent



HINGE CLAW



XA740
Window Hinge Claw

Installing XA740 - Hinge Claw

To fix the window hinge claw (XA740), locate the frame hook (A) against the external face of the bead channel and fix into position using 3.9mm x 13mm self-tapping c/s screws.

Once the frame hook is firmly in position, locate the vent hook (B) against the die line shown in Figure A. When satisfied fix into position with 3.9mm x 13mm self-tapping c/s screws.

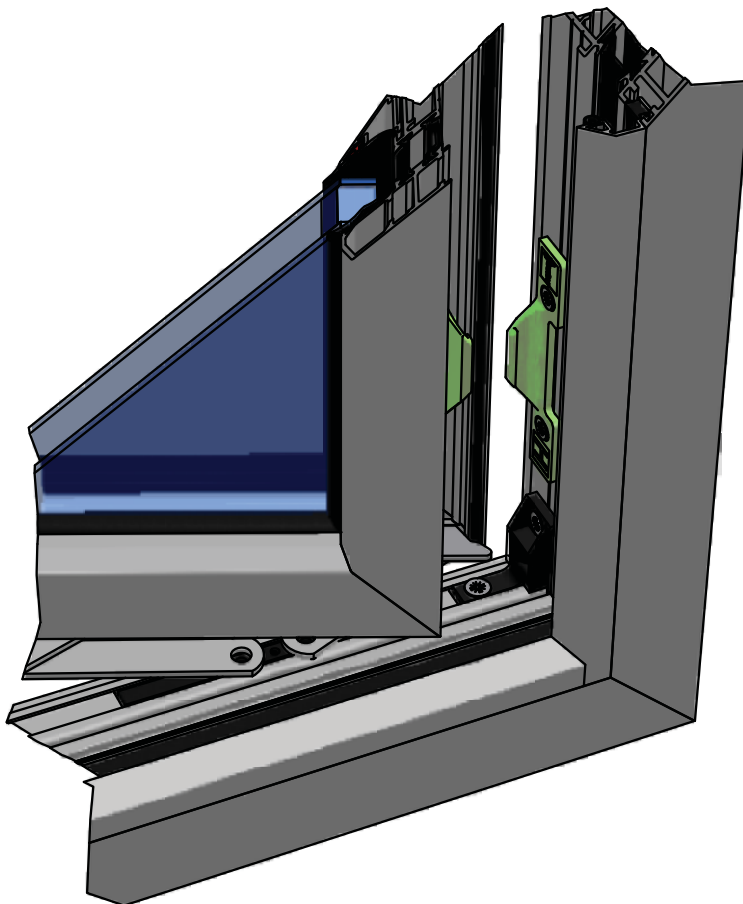


Figure A

