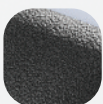


Monkey Tail Handle

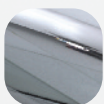


Features & Benefits

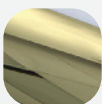
- Elegant design inspired by 19th century ironmongery
Classic finish to a heritage window
- Strength tested to equivalent of a modern espagnolette window handle
Strong espagnolette operator
- Manufactured from die-cast zinc with specially formulated finish
Harder wearing finish than traditional wrought iron furniture
- Key locking
Security enabled
- Matching Monkey Tail Dummy Stay also available
Create a perfectly matching heritage window



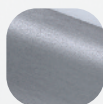
Antique
Black



Hardex
Chrome



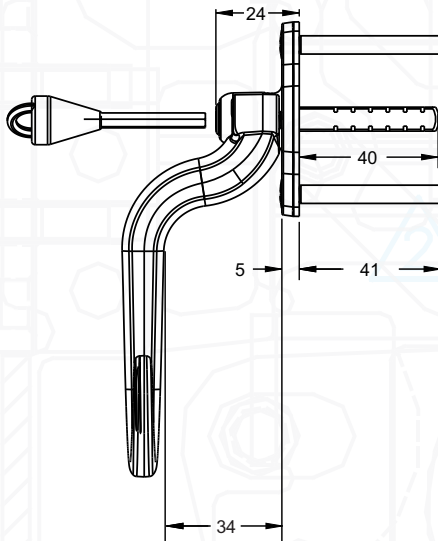
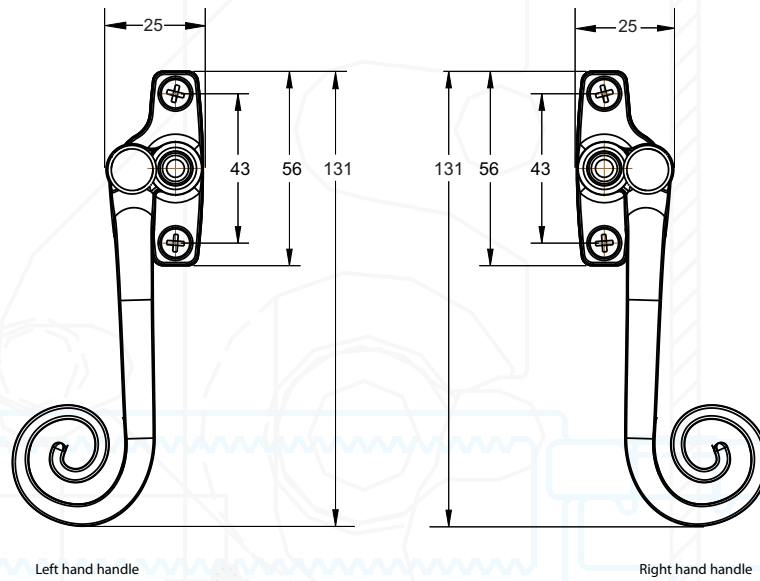
Hardex
Gold



Hardex
Graphite

Fab&Fix

Monkey Tail Handle



All dimensions are shown in millimetres

Additional Benefits

- Supplied with colour coordinated screws
Perfectly matching hardware, even down to the smallest detail
- Slotted 40mm spindle
Allows cropping to 5mm increments

Technical Specification

All finishes salt spray tested to 480 hours (BS EN 1670: Class 5)

Designed for PVC-U and Timber windows systems

Cycle tested to 25,000 operations

Includes 2 x M5 x 49mm colour coordinated screws

Product Codes

Monkey Tail Handle

Size	Antique Black	Hardex Chrome	Hardex Gold	Hardex Graphite
Left Hand	8A069	8A077	8A075	8A071
Right Hand	8A070	8A078	8A076	8A072