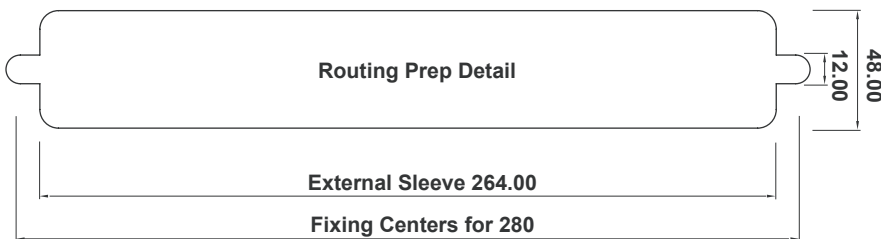
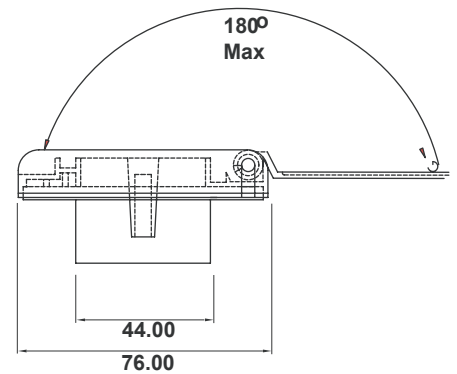
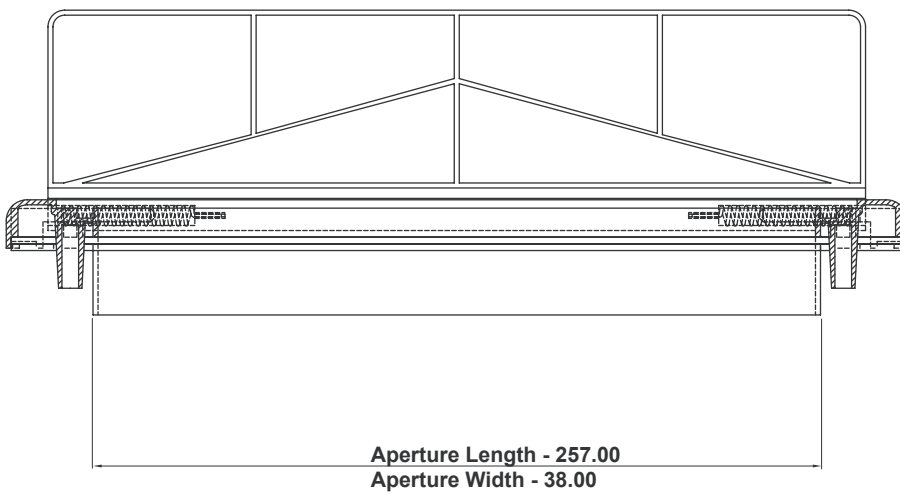
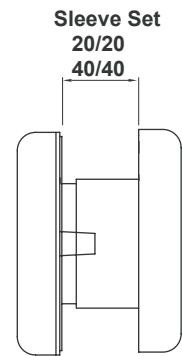
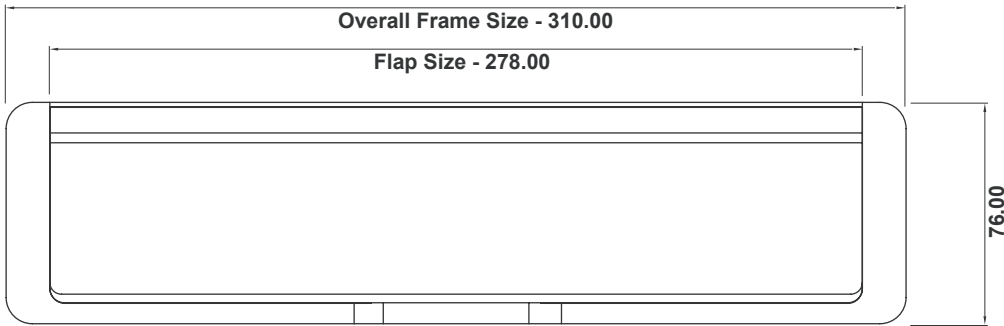


Nu-mail Letterplate



Part Codes (please specify finish ??)

LETTERBOX CODE	DESCRIPTION
FFLP1220??	Letterplate Nu-Mail 12" Up to 40mm Depth Doors
FFLP1240??	Letterplate Nu-Mail 12" Up to 80mm Depth Doors

Window Fabrication & Fixing Supplies Ltd
Unit 4 The Moorings Business Park, Channel Way, Exhall, Coventry, United Kingdom, CV6 6RH
Tel +44 (0)2476 585 785 Fax +44 (0)2476 585 786 www.fabnfix.co.uk

