

# PVCu Sliding Patio Door



whiteline®

The traditional sliding patio door had already been given a new lease of life by Whiteline<sup>®</sup>, however we felt there was still more room for development and upgrading. Revised aesthetics, an even smoother roller glide and the latest retractable claw locks ensure that it remains the best PVCu Sliding Patio Door in the country.

From the moment you see the our door, you'll be struck by it's ergonomic design, the effortless locking mechanism and the smooth motion of the noiseless glide.

Fitted with the revolutionary **Advanced Patio Roller** system, the **Whiteline<sup>®</sup>** sliding patio door is perfectly balanced as it moves along it's robust track on a multi-wheel roller mechanism - with doors spanning up to four leaves in width.



# Sliding **Patio** Door

High performance sliding patio door

The sliding patio door isn't a new invention, yet, most doors available on the market today are still based on an original design, which means they come with inherent challenges. Who hasn't experienced a patio door that rocks on its track, or one that requires sheer brute force to open?

Other patio systems have built a reputation for making it easy for thieves to break in to your home. The **Whiteline**<sup>®</sup> design team have rewritten the rule book with their innovative patio range – engineering in features such as a built-in decelerator and hidden 'crash stops' within the operating mechanism so as not to detract from the beautifully slim lines of the door.



Our revised **Whiteline**<sup>®</sup> Sliding Patio Door has taken the sculptured internal and external 'beads' and combined them with square-edged frames, interlocks and threshold covers that suit traditional and contemporary properties alike.

Our doors have been engineered to be strong and secure. The latest claw-lock mechanisms and a choice of high-performance lock cylinders are some of the highlights of the security features we've designed in to the doors to help keep your home safe.

Choose from a wide range of colour and handle options to personalise your patio door - each door is manufactured to your bespoke size and design, for the perfect fit for your home.

# Threshold Options

Standard and low threshold options

Our patio doors can be supplied with a standard PVCu cill, colour-matched to your doors – or you can select our low aluminium threshold option in silver or gold to co-ordinate with the doors' hardware.

The low threshold can also be cill mounted for ultimate flexibility.



Standard PVCu  
threshold  
**50mm height**



Low aluminium  
threshold  
**30mm height**



Part M aluminium  
threshold with ramp  
**25mm height**

## GLOSS FINISH

Polished finish reduces cleaning and maintenance and resist airborne pollutants and moulds.

## INTERNAL SLIDERS

Provide a safe and secure door and uses anti-lift construction for additional security

## ADVANCED PATIO ROLLER

Smooth, low-resistance movement using a self-levelling roller system

## DECELERATOR

Patented decelerator inside door head eliminates unsightly external 'crash stops'.

## SCULPTURED BEADS, SQUARE DOOR LEAF

## PAS24

Offer superb peace of mind, with secure locking mechanisms available up to PAS 24 security standards.

## 100%

### LEAD-FREE PVCu

Completely free of poisonous lead stabilisers.



# Design Features

Aesthetic enhancements that complement all homes

**square edge** door leaf profile creates a clean, sharp appearance...



Low aluminium threshold on cill  
**80mm height (incl. cill)**



...and combines with a **'sculptured'** glazing bead to create a timeless appearance

# Interlock Sightline

88mm



an interlock width of just **88mm** for an almost unhindered view

# Design Features



interior sliding door  
for the best security and weather  
protection

# Door **Handles**



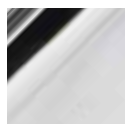
tubular handle design  
suits contemporary and  
traditional properties alike



White



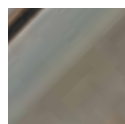
Black



Chrome



Gold



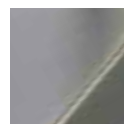
Graphite



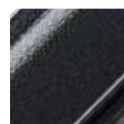
Bright  
Bronze



Satin



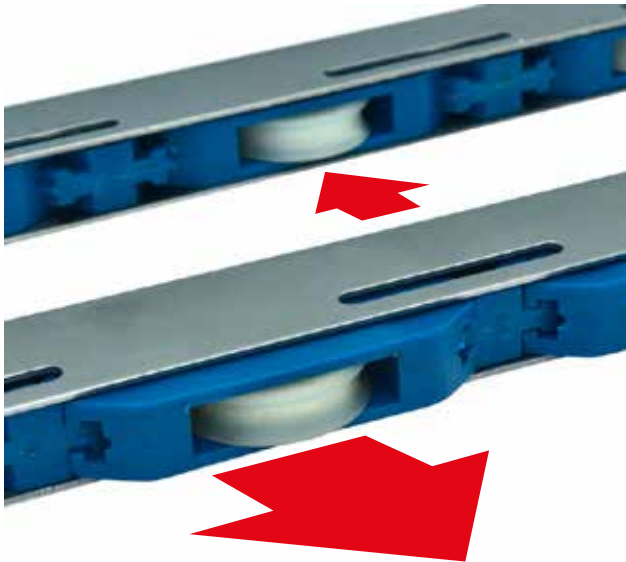
Silver



Antique  
Black



# Security Features



Our meticulously designed and manufactured **Advanced Patio Roller** meets the increasing demand for expansive sliding doors with uninterrupted panoramic views. It caters to the latest trend of larger and heavier patio doors, offering enhanced durability, greater load-bearing capacity, and superior performance. This roller employs pressure-based technology to evenly distribute the door's weight, effortlessly accommodating heavy door leaves and uneven tracks. It flawlessly handles track imperfections, ensuring a smooth and trouble-free user experience.

Compared to traditional rollers with 'see-saw' mechanisms, our **Advanced Patio Roller** system stands out in the market. It operates smoothly, runs quietly, and boasts exceptional longevity. Its unique self-leveling system, which evenly distributes weight even under substantial loads, reduces wheel wear and also enhances durability, ensuring years of trouble-free operation.

Combining steel reinforcing with a high security locking mechanism, technology ensures the **Whiteline®** patio door offers far greater security than most other products of its type. Our unique locking mechanism has been designed to ensure that unsightly hooks do not protrude into the room even when the door is open.

To make your **Whiteline®** patio door even more secure, you can choose the latest 'anti snap' locking cylinders, which offer even more protection against the more determined would-be intruder.

You can even choose a PAS 24-compliant door, with Secured by Design status for additional peace of mind.

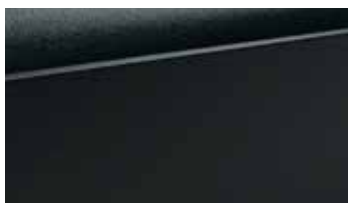


Our new high-security lock features **4 bi-parting locking clusters for increased security. Each cluster features twin-elongated mushroom espagnolettes.**

The entire mechanism locks into a one-piece stainless steel keep.

For even further security, the lock uses an anti-tamper gearbox with a mishandling pin.

The lock works with all door configurations from 2-4 panes.



Anthracite



Cream



Whitegrain

## Colour Options

If you're not in a rush, you could select a completely bespoke colour and finish from the huge range available. You can choose to have the foil applied on just the interior or exterior if you prefer.

Please ask to see a **Whiteline**<sup>®</sup> foil swatch booklet to help you select the perfect colour choice.



Rosewood



Oak



Black



Rosewood on White



Oak on White



Black on White



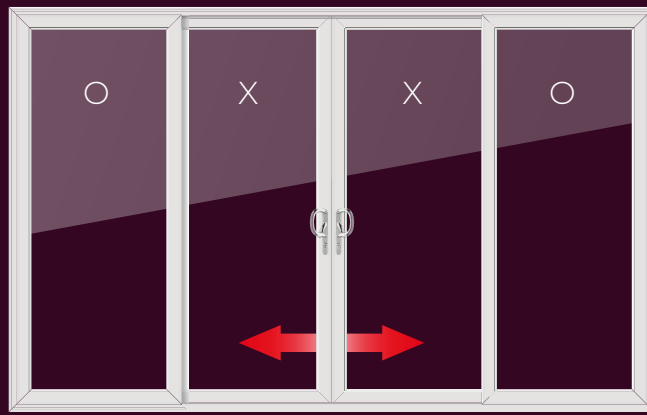
# inspiration



# Door Configurations



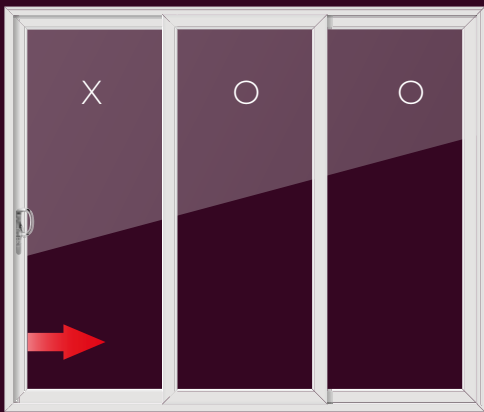
2-leaf door style **OX** or **XO**



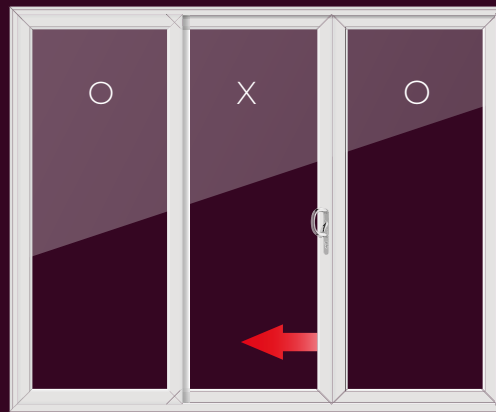
4-leaf door style **OXXO**

Arrows denote direction of opening door leaf.

'X' denotes the opening (sliding) door leaf whereas 'O' denotes the fixed door leaf.



3-leaf door style **XOO** or **OOX**



3-leaf door style **OXO** (left or right)

If you have a wider opening span, why not consider a 3 or 4-pane patio door? The supreme strength of **Whiteline**<sup>®</sup> multi-chambered frames make them perfect for large openings – so conservatories, orangeries and garden rooms can all benefit from increased light flooding into your home. If you know the approximate measurements of your aperture, you can see the configuration

options available to you using the table below. Alternatively, if you've already decided on a certain configuration, look across from the number of doors to find the approximate opening width required.

Please note: this table is for guidance only; each set of **Whiteline**<sup>®</sup> patio doors is made to order to your own exact measurements.

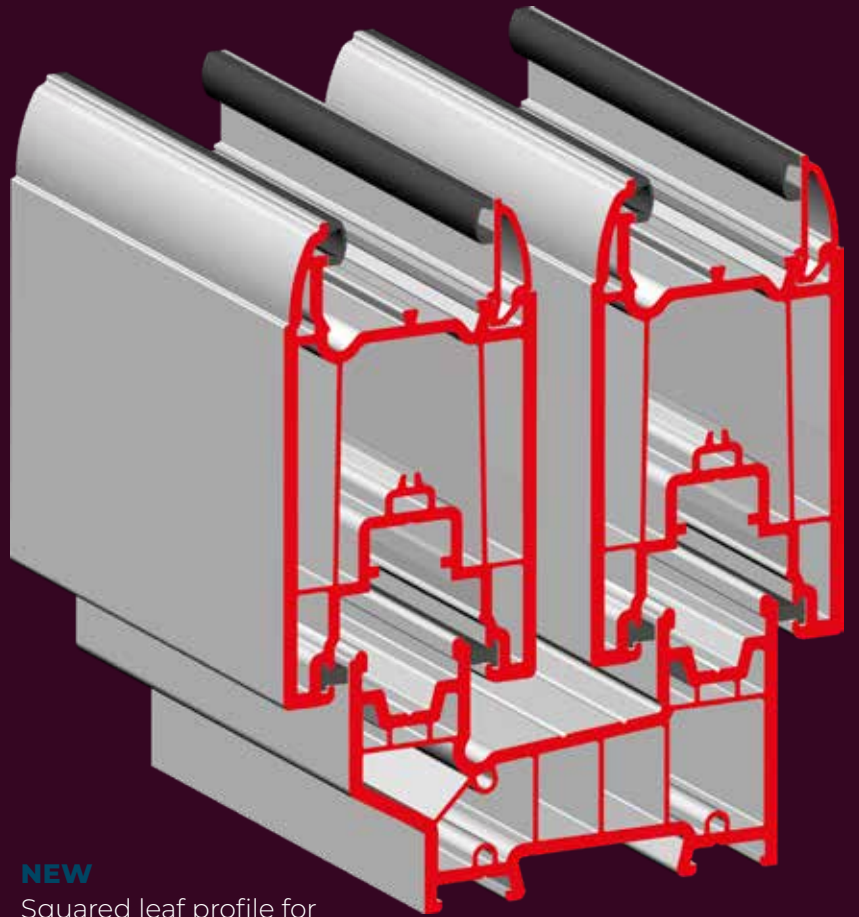
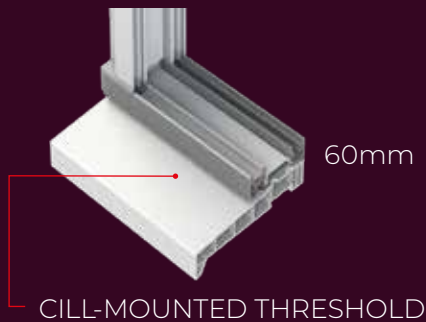
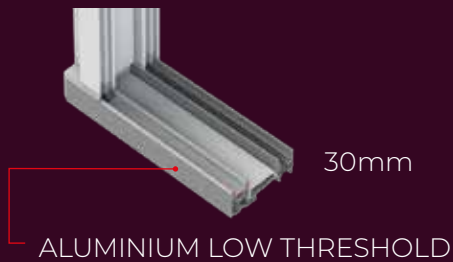
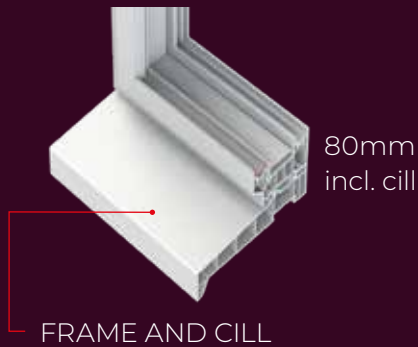
	1.4m	1.6m	1.8m	1.4m	2.0m	2.2m	2.4m	2.6m	2.8m	3.0m	3.2m	3.4m	3.6m	3.8m	4.0m	4.2m	4.4m	4.6m	4.8m	5.0m	5.2m	5.4m	5.6m	
2 Pane OX or XO	■	■	■	■	■	■	■	■	■															
3 Pane OXO										■	■	■	■	■	■	■	■	■	■	■	■	■	■	■
3 Pane XOO or OOX (l/r)										■	■	■	■	■	■	■	■	■	■	■	■	■	■	■
4 Pane OX or XO																								

■ PVCu substrate and foiled finishes

■ PVCu substrate ONLY

# Door Specification

## THRESHOLD OPTIONS

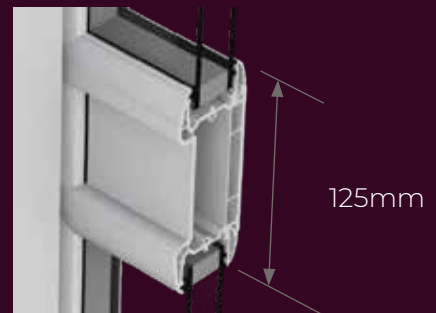


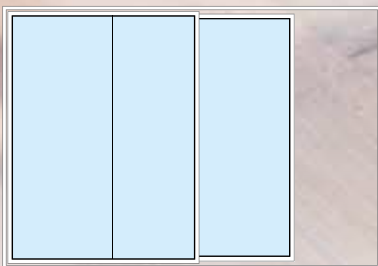
### NEW

Squared leaf profile for a sharper contemporary appearance

Outer frame depth of just 70mm for easy installation into most UK door reveals

## OPTIONAL MIDRAIL





whiteline®

**t:** 0800 652 3151 **e:** info@whiteline.co.uk **w:** www.whiteline.co.uk

**BR0054 Whiteline Patio Door Brochure 2nd Edition 2024**

All rights reserved © 2024 Whiteline Manufacturing Limited

In our ongoing quest to provide the highest quality products our designs and specifications are subject to change without any notice. Except as allowed by law, no part of this publication may be reproduced in any form without written consent.